

OMNIA  
AltoStrato

Great  
Wide



The OMNIA AltoStrato is one of the greatest lift-and-slide systems in the world, an awe-inspiring feat for contemporary architecture! Attractive and effective slim-frame-lines, excellent thermal insulation values and high-quality components create an exceptionally uplifting atmosphere.

Ultimate high-end look grants freedom

Wide span structures are perfectly fulfilled

Exceptional performance for virtually all environments

All-glass corners as well as 90° open corners are possible

A complete range of tracks

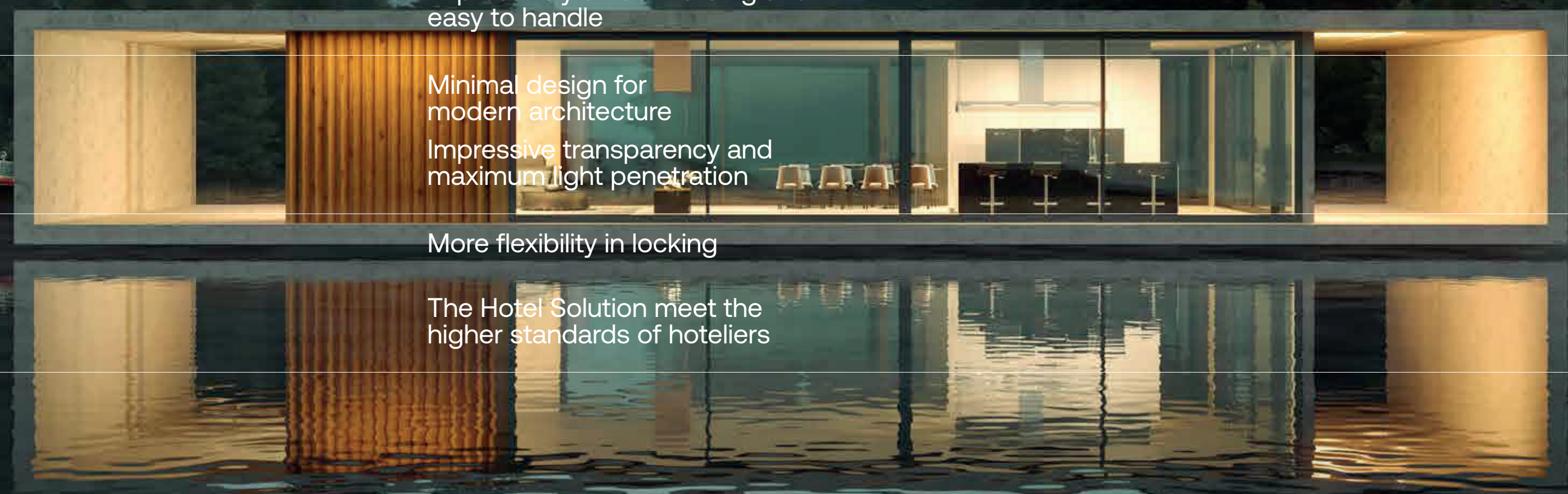
Impressively smooth sliding and easy to handle

Minimal design for modern architecture

Impressive transparency and maximum light penetration

More flexibility in locking

The Hotel Solution meet the higher standards of hoteliers



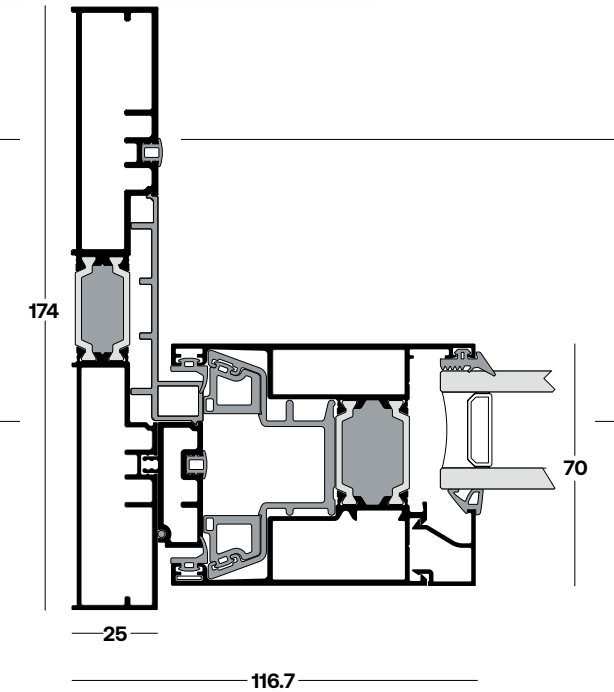
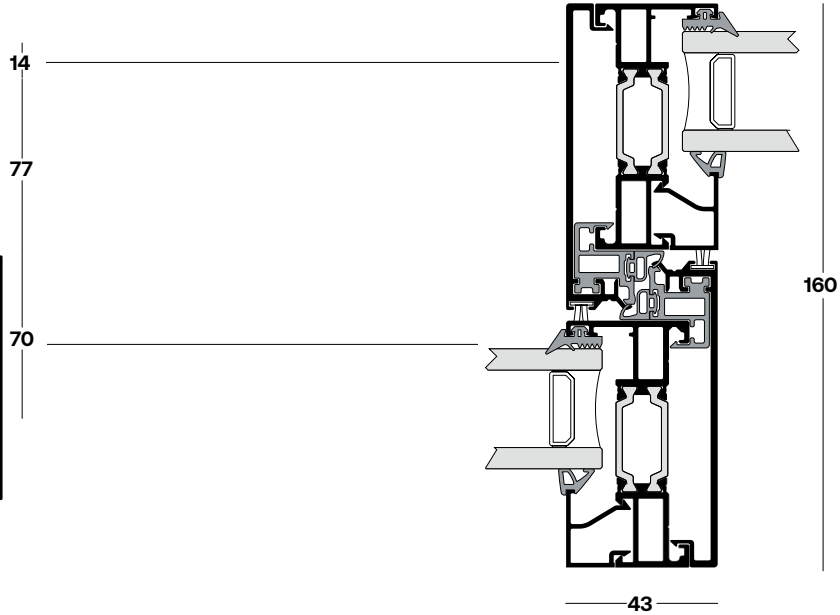
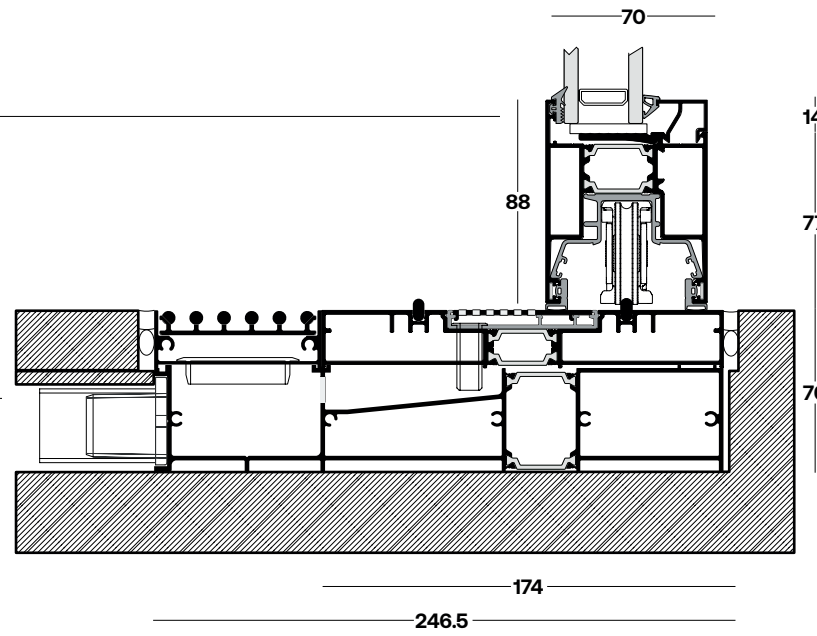
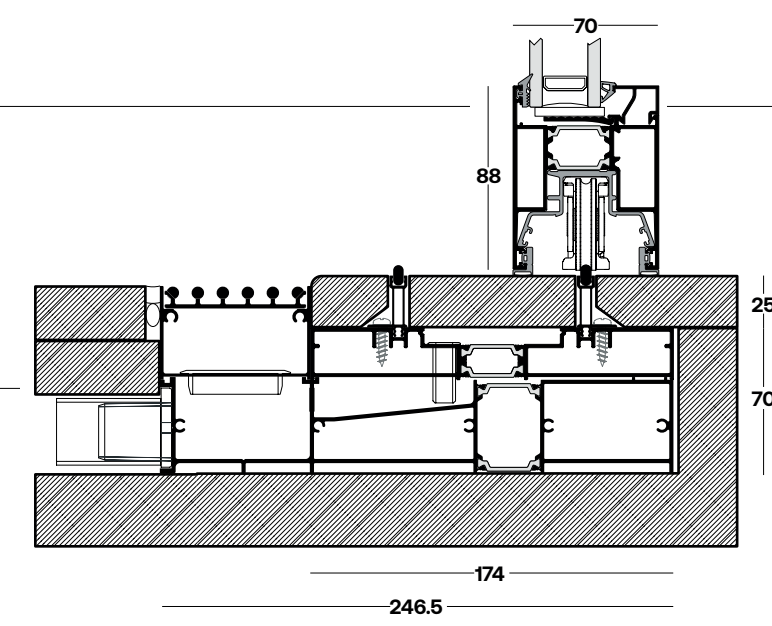
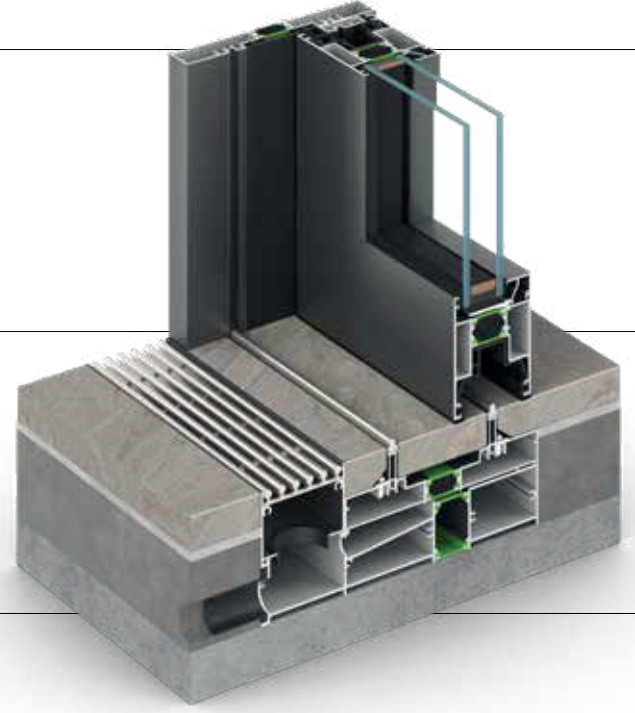
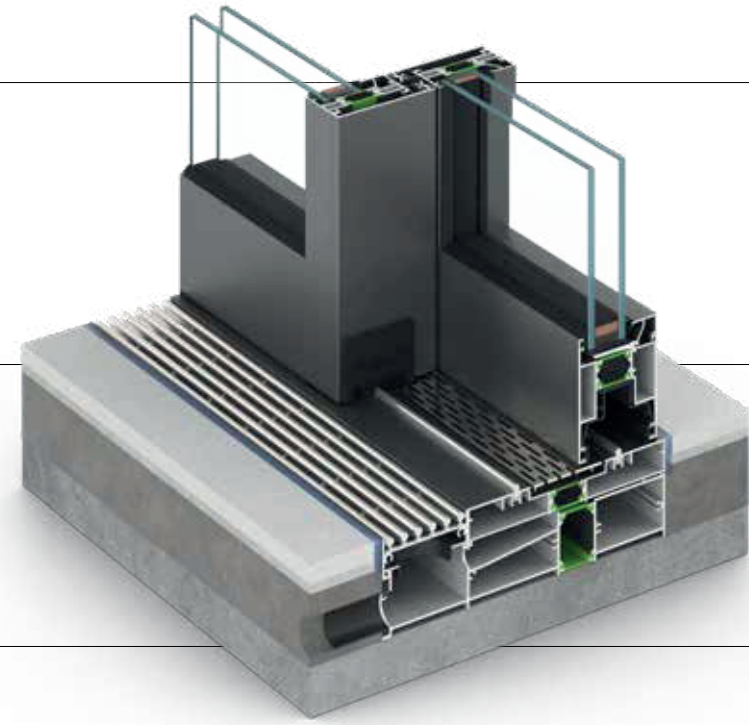
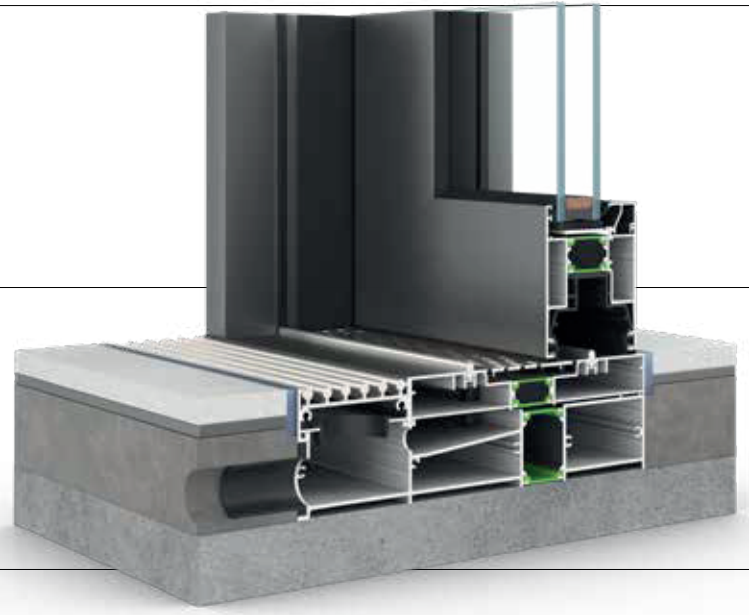
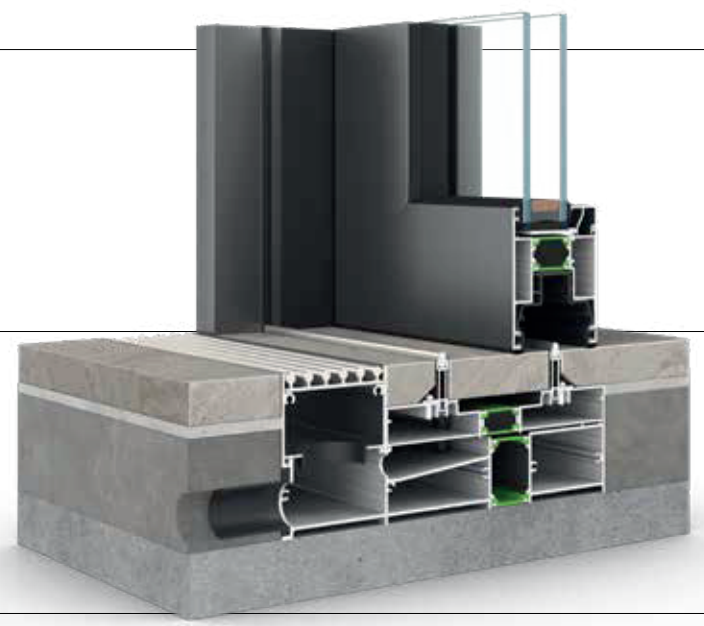
# TC

Hidden Track

Flat Track

Interlock

Side Frame





## System Configurations



## Technical Data

**Category**

**Value**

**Exterior Shapes**

Flat / Contemporary look with narrow interlock & reduced sightlines

**Window / door Types**

→ Lift-and-slide

**Track Width**

174 mm

**Minimum Track Height**

25 mm

**Visible Aluminum Face Width (Interlock)**

43 mm

**Maximum Sash Width**

3000 mm

**Maximum Sash Height**

3000 mm

**Maximum Sash Weight**

Up to 400 Kg

**Sealing Method**

Perimetrical with EPDM gaskets & multi-layer brushes

**Hardware**

L&S mechanism & rollers with standard or hook version, locking points

**Glass Type**

Double / Triple

**Glass Thicknesses**

From 24 mm to 52 mm

**Type Of Thermal Insulation**

Polyamides of 30 mm, Insulation Foam



## System Performances

**Category**

**Value**

**Thermal**

Uf values from 1.7 W/(m<sup>2</sup>K)

**Air Permeability**

Class 4

**Water Tightness**

Class 9A

**Wind Load Resistance**

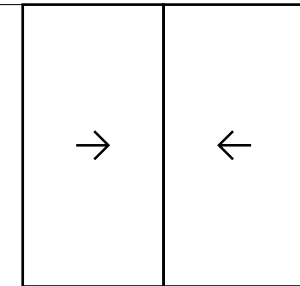
Class B4

**Acoustic**

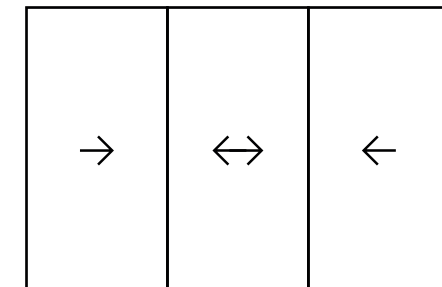
42 dB



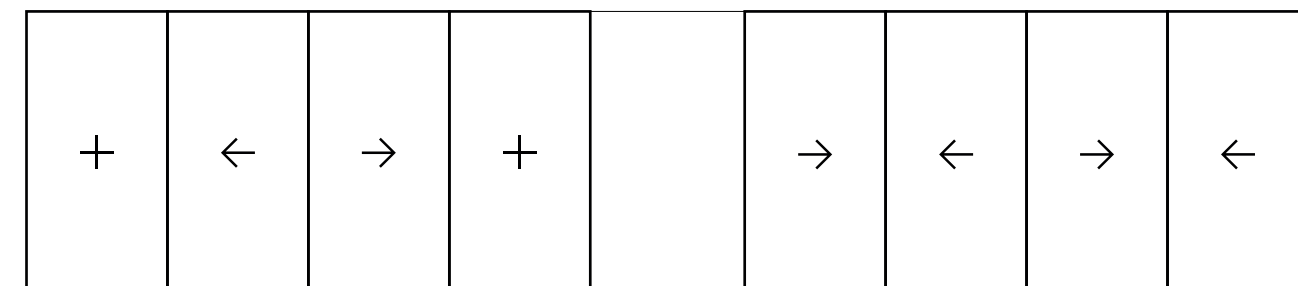
One Fixed & One Movable Sash



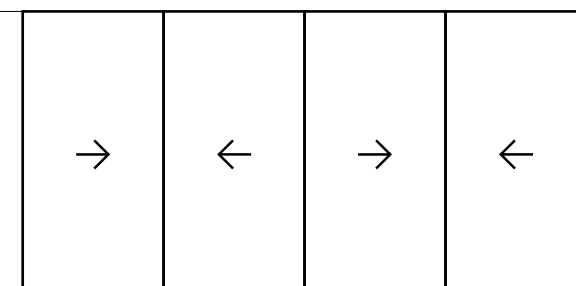
Two Movable Sashes



Three Movable Sashes



Two Side Fixed & Two Central Movable Sashes



Four Movable Sashes

